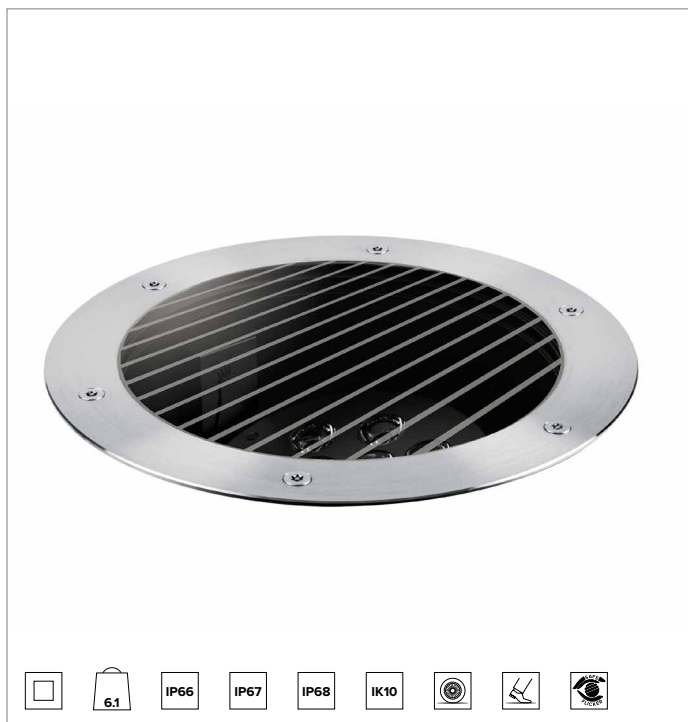
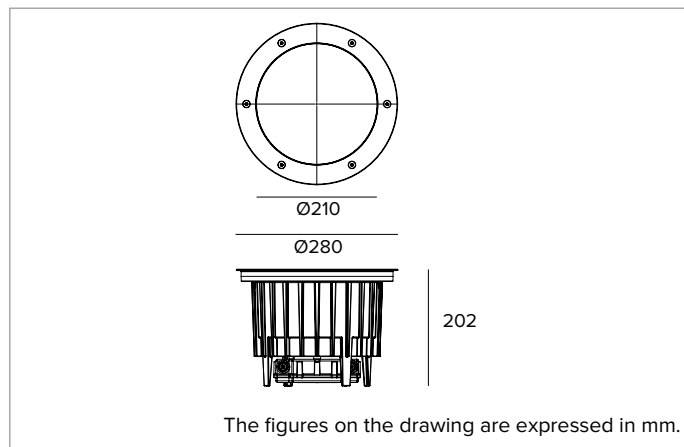


## E013SPL827ELASS | KEPLERO 280 Adjustable Professional inground recessed adjustable LED projector



	2700K	H(m)	D(m)	Emax(lx)		
	Ra80		11°			
	Fixture Power	39W	1	0.19	63681	
	Source Flux	4230lm	2	0.37	15920	
	Fixture Flux	3284lm	3	0.56	7076	
	Efficacy	84lm/W	4	0.74	3980	
TS1943	Imax=15055cd/klm	Imax	63681cd	5	0.93	2547



### SOURCE

Ra80 high efficiency High Power LED. 3500K colour temperature available on request.

**Energy efficiency class:** E

**Nominal power:** 34W

**Nominal flux:** 4230lm

**Colour rendering index:** 80

**Rf:** 83.1

**Rg:** 98.2

**CCT nominal:** 2700K

**Lifetime (L80/B10):** >50000h tq +25°C

### ILLUMINOTECHNICAL CHARACTERISTICS

Optical system with an optical grade PMMA lens and a holographic diffusing filter. Tilting optic adjustable up to 30° on the vertical plane and 210° on the horizontal plane with a friction aim locking system. Designed for the installation of multiple optical accessories to be ordered separately.

**Optic:** LENS

**Beam angles:** SP

**Optical efficiency:** 78%

**Fixture flux:** 3284lm

**Luminous efficacy:** 84lm/W

**Photobiological safety:** Compliant with RG1 low risk group

### MECHANICAL CHARACTERISTICS

Die-cast aluminium body with 3 layers of protection: anodised, cataphoresis and black paint. Brushed stainless steel (AISI 316) ultra flat decorative ring with bevelled edge (natural finish). Version with anti-slip protective glass for public pedestrian areas. Anti theft stainless steel A4 Torx screws.

**Colour and finish:** Brushed stainless steel

**Weight:** 6.1Kg

**Version:** STANDARD

**Degree of protection:** IP66,IP67,IP68

**Mechanical Resistance:** IK10

### ELECTRICAL CHARACTERISTICS

Integrated IP68 ON-OFF electronic power supply equipped with IP68 waterproof connectors set for connection to the mains with a HO7RN8-F (max2x2.5mm<sup>2</sup>) cable. Fixture with a pass-through line.

**Fixture Power:** 39W

**Power supply:** 220-240Vac 50/60Hz

**Insulation Class:** CLASS 2

**Type of driver / Control:** ON-OFF

**Driver included:** YES

**Class F:** YES

**SAFE FLICKER:** PstLM=<1 and SVM=<0.4 (IEC TR 61547-1 and IEC TR 63158), to ensure a more comfortable and safe light

**Ambient temperature:** -25°C / +35°C

### INSTALLATION

Nylon installation sleeve to be ordered separately as an accessory. The sleeve is pre-set for both flush or straight edge installation. 20kN resistance to static load.

### NOTES

All light fixtures must be completed with an installation sleeve. IP68: the projector is not suitable for permanent underwater installation but can withstand temporary accidental immersion to a depth of 2 metres (max.24h). All versions of the KEPLERO family meet all the requirements of EN 60598-2-13 standard regarding drive-over and walk-over performances. Low temperatures on the glass make them suitable even for installation in "special areas", such as spaces for children. Uses the "Waterblock Plus" technical solution that involves resin coating the connection cables and completely resin coating the integrated driver limiting the risk of humidity reaching the fixture. 110-277Vac version available on request.

### WARNING

Luminaire designed for disposal/recycling at end-of-life. Replaceable (LED only) light source by a professional. Replaceable control gear by a professional.

Due to the technological evolution of the electronic components, the data provided may be updated, and as such, confirmation must be requested during the order process.

Luminous flux and power supply have +/-10% tolerances with respect to the indicated value. tq +25°C (CIE 121).

We reserve the right to make technical changes.

Targetti Sankey S.r.l.  
Via Pratese, 164  
50145 Firenze - Italy  
Tel: +39 055 37911  
targetti.com  
targetti@targetti.com

CCIAA Firenze  
Share Capital:  
€ 500.000,00  
VAT N. (IT):  
01537660480  
R.E.A.: FI-275656

**TARGETTI**

## E013SPL827ELASS | KEPLERO 280 Adjustable Professional inground recessed adjustable LED projector

### Related codes

#### Sleeve



Code

**1E2394**

Grey nylon installation sleeve.  
The sleeve is pre-set for both flush or straight edge installation.  
Complete with dedicated cover cap for installations in concrete.  
Flush ring Ø 286 H.225.  
Straight edge ring Ø 271 H. 223.

### Accessories

#### Grid

Code

**A062**

Anti-glare louver.  
Black painted metal honeycomb structure.  
The louver is complete with a filter holder ring.

#### Filter

Code

**A063**

Flat striped glass blade light refractive filter.  
This makes the beam take on an oval shape and when combined with spotlights, the light blade appears more prominent.  
The accessory is complete with a filter holder ring.

#### Tool



Code

**1E2496**

Metal handle for fixture removal



Code

**1E2495**

Features TORX HEAD, TX 30.



Code

**1E0388**

Sucker tool to raise the glass.

#### Connector



Code

**1E2769**

Linear connection box IP66/IP68.  
5 poles max. wire section 1.5mm<sup>2</sup>.  
Cable diameter range from 7 to 12mm.



Code

**1E2494**

Multiple connection box IP68.  
1 IN - 3 OUT 4 poles max. wire section 2.5mm<sup>2</sup>.  
Cable diameter range from 6 to 12mm.

*Due to the technological evolution of the electronic components, the data provided may be updated, and as such, confirmation must be requested during the order process.  
Luminous flux and power supply have +/-10% tolerances with respect to the indicated value. tq +25°C (CIE 121).*

*We reserve the right to make technical changes.*

Targetti Sankey S.r.l.  
Via Pratese, 164  
50145 Firenze - Italy  
Tel: +39 055 37911  
targetti.com  
targetti@targetti.com

CCIAA Firenze  
Share Capital:  
€ 500.000,00  
VAT N. (IT):  
01537660480  
R.E.A: FI-275656

# TARGETTI

## E013SPL827ELASS | KEPLERO 280 Adjustable Professional inground recessed adjustable LED projector

### Surge protector



Code

**A013B**

Surge protector compatible with CLASS II lighting fixtures and electronic drivers.

Operating voltage 220-240Vac.

SPD type 2+3.

Max surge protection 10kV.

CLASS II

IP67

*Due to the technological evolution of the electronic components, the data provided may be updated, and as such, confirmation must be requested during the order process.*

*Luminous flux and power supply have +/-10% tolerances with respect to the indicated value. tq +25°C (CIE 121).*

*We reserve the right to make technical changes.*

Targetti Sankey S.r.l.  
Via Pratese, 164  
50145 Firenze - Italy  
Tel: +39 055 37911  
targetti.com  
targetti@targetti.com

CCIAA Firenze  
Share Capital:  
€ 500.000,00  
VAT N. (IT):  
01537660480  
R.E.A: FI-275656

**TARGETTI**